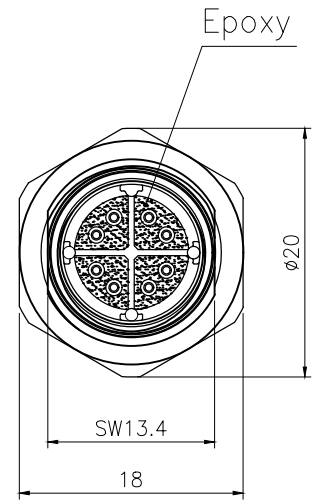
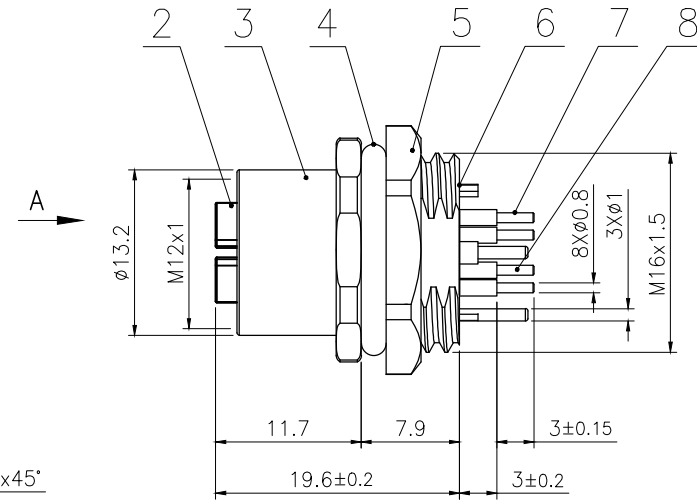
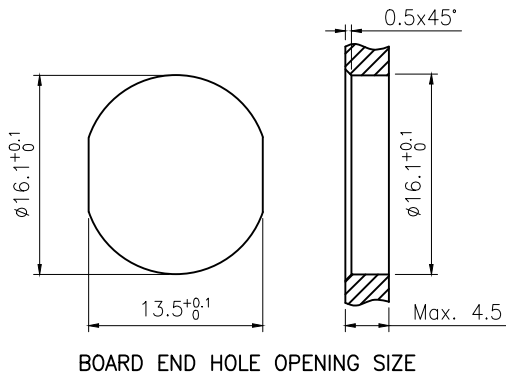
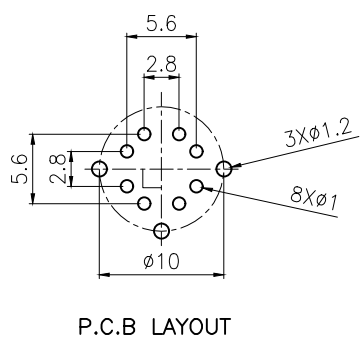
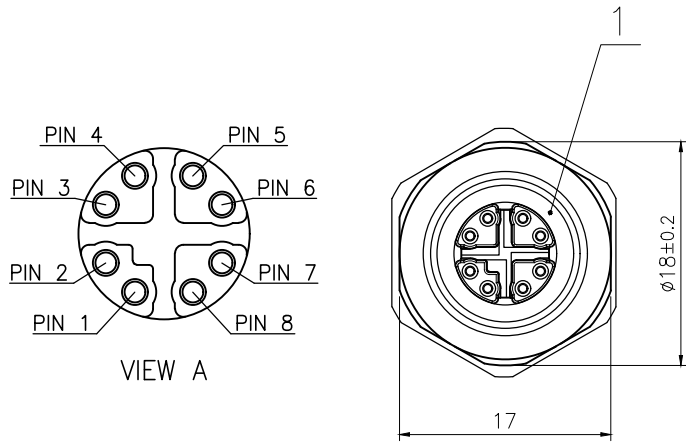


Pin	X	Y
1	-1.4	-2.8
2	-2.8	-1.4
3	-2.8	1.4
4	-1.4	2.8
5	1.4	2.8
6	2.8	1.4
7	2.8	-1.4
8	1.4	-2.8



8	M12 X Type Zinc alloy rubber core metal parts	Zinc alloy	nickel plated	pc	1
7	M12 X Type female contact pin T-94-B	Copper	Gold plated	pc	8
6	M12 X-shaped seat circlip Φ 12.5XΦ 10.9X0.8	Brass	nickel plated	pc	1
5	Hexagon nut M16X1.5	Brass	nickel plated	pc	1
4	M12 Shell O ring Ø16X2	NBR	/	pc	1
3	M12 Panel front mount female socket shell S-250	Brass	nickel plated	pc	1
2	M12 Female Insulator (8 core X Coding)	Nylon	/	pc	1
1	M12 Insulator O ring Ø9XØ6X1.5	NBR	/	pc	1
No.	Specification	Material	Treat	Unit	Q'ty

Technical specifications:		Materials:	
Coupling:	Threaded coupling	Shell material:	Brass nickel plated
Termination:	Dip solder	Contact material:	Phosphor bronze Gold plated
Coding:	X	Insert material:	PA66+GF UL94 black
Pollution degree:	3	Shielding material:	Zinc alloy
Temperature range:	-40°C ~ +80°C	Sealing:	NBR
Degree of protection:	IP67		
Mating cycles:	≥500		
Rated voltage:	60V AC/DC		
Rated current:	0.5A		
Contact resistance:	≤5 mΩ		
Insulation resistance:	≥100 MΩ		
All materials are RoHS compliant			

GENERAL TOLERANCE (UNLESS SPECIFIED)	DWN	DATE	
	W.M	2023.8.4	
≤10 ±0.1	CHK	DATE	TITLE M12 X Type Female Front Mount Socket (PCB)
<10~≤20 ±0.2	APVD	DATE	
<20~≤50 ±0.5			PART NO
Angle ±1°	UNIT	REV	
	MM	A	DRAWING NO M12-B1-S8X-1
	SIZE	SHEET	
	A4	1 OF 1	